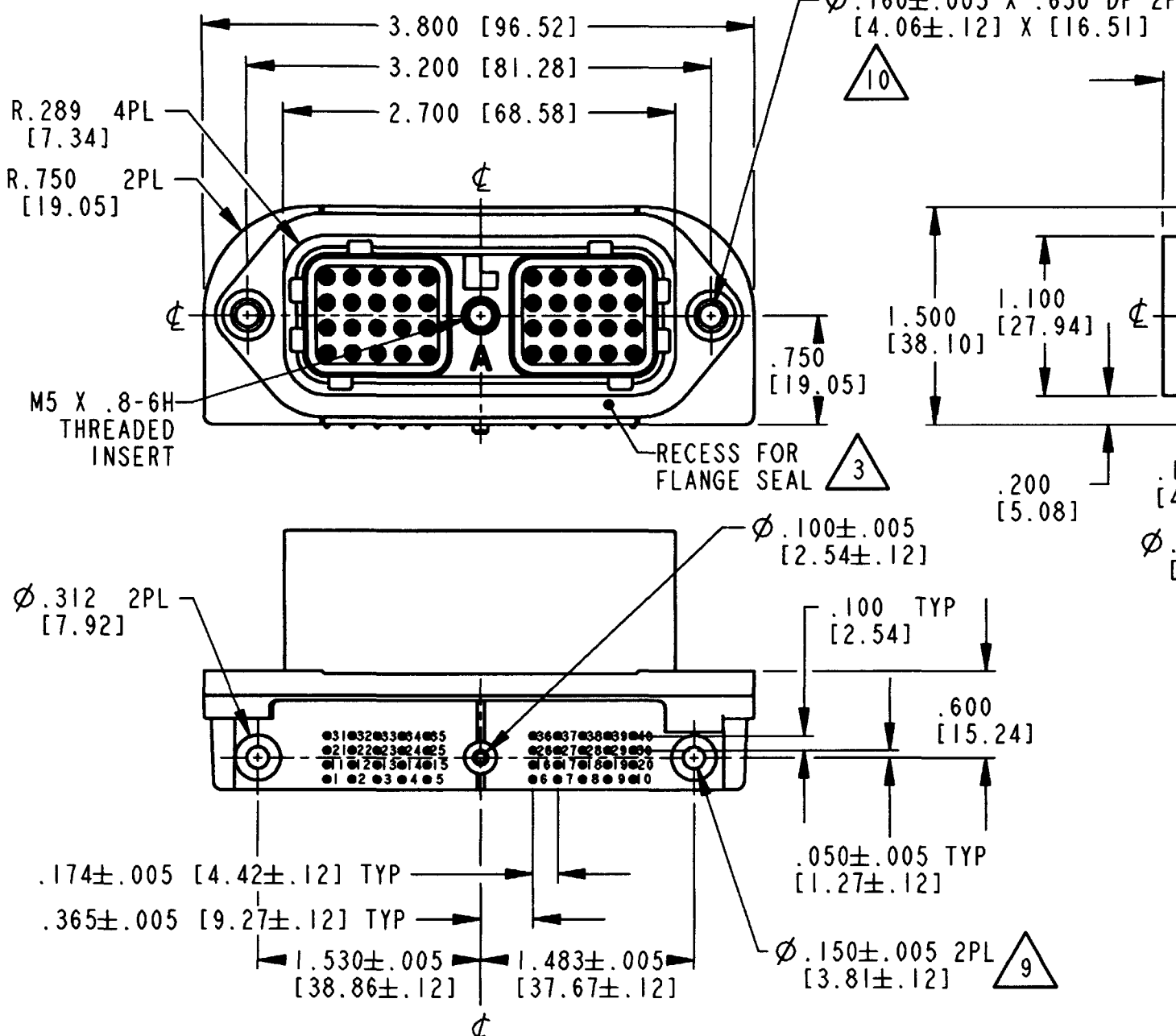
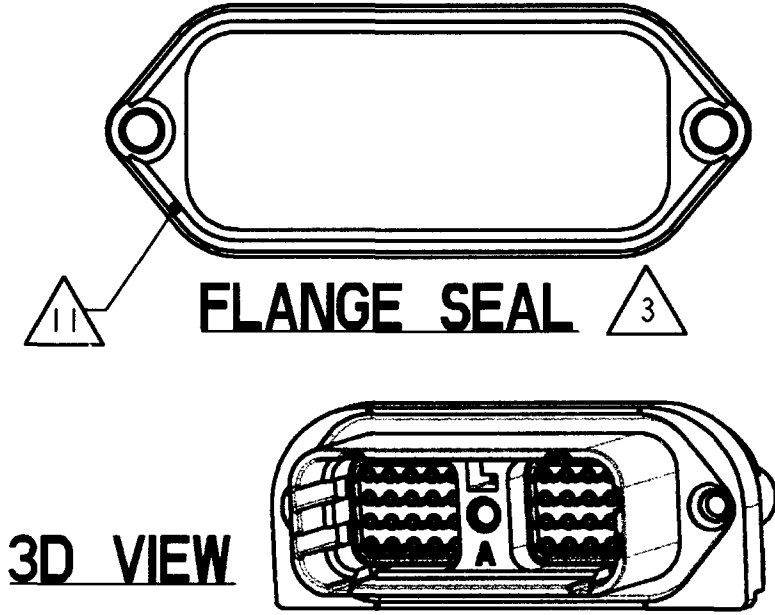


REV NC DRC23-40P\*

REVISIONS			
SYM	DESCRIPTION	DATE	APPROVED
NC	NEW RELEASE PER E.O. PI6859	12-28-00	RDR



- 12 SURFACE FINISH: 32 RMS OR BETTER; [∇] .005 [0.12].
- 11 FULLY SEAT THE FLANGE SEAL IN THE RECESS WITH THE RAISED SEAL FACING OUTWARD.
- 10 RECOMMENDED SCREW: 8-16 [M5 X 2.24] THREAD-FORMING SCREW. TORQUE: 15-20 IN-LB [1.69-2.26 NM].
- 9 RECOMMENDED SCREW: 7-18 [M4.06 X 1.41] THREAD-FORMING SCREW. TORQUE: 10-15 IN-LB [1.13-1.69 NM].

- 6. CONTACT PLATING - MATING SIDE: GOLD; PCB SIDE: TIN.
  - 5. MATERIAL - PLASTIC (BLACK); INSERT: STEEL; SEALS: RUBBER.
  - 4. RECEPTACLE IS SUPPLIED WITH DUST CAP (NOT SHOWN).
  - 3. FLANGE SEAL (P/N 0513-020-4006) IS SHIPPED LOOSE WITH RECEPTACLE.
  - 2. DIMENSION TOLERANCE: ±.025 [0.64]; PANEL CUTOUT: ±.010 [0.25].
  - 1. DIMENSIONS ARE IN INCHES [mm].
- NOTES: UNLESS OTHERWISE SPECIFIED

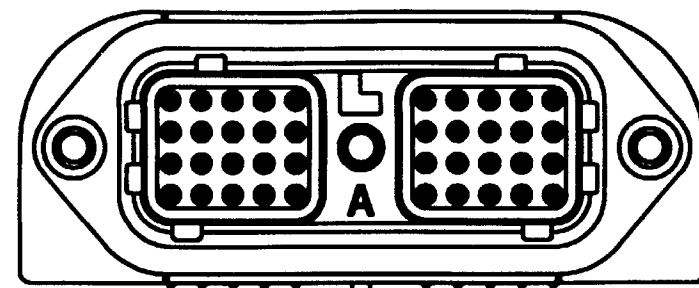
- 8. SEE SHEET 2 FOR OTHER KEY ARRANGEMENTS.
- 7. THIS RECEPTACLE MATES WITH DRC26-40S\*-\*\*\*\* PLUG (\*=A,B,C,D KEYS; \*\*\*\*=ALL MODIFICATIONS).

SIGNATURE & DATE	
DR	J. APOSTOL 07NOV2000
CHK	TR. Brannan 12/28/00
PE	D. Meyer 12/11/00
APPD	R. Reed 12-28-00
SCALE	NONE WT

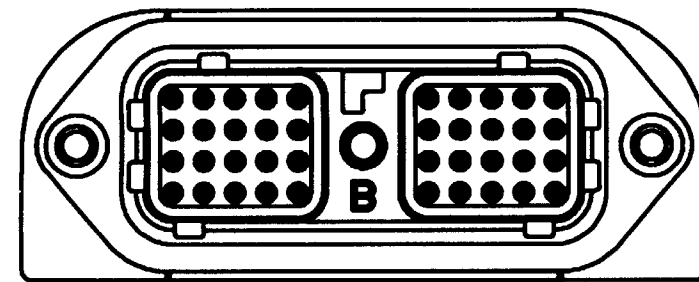
RECEPTACLE  
40 #20 SIZE CONTACTS  
KEY ARRANGEMENTS  
A, B, C & D  
DRC SERIES

ENVELOPE

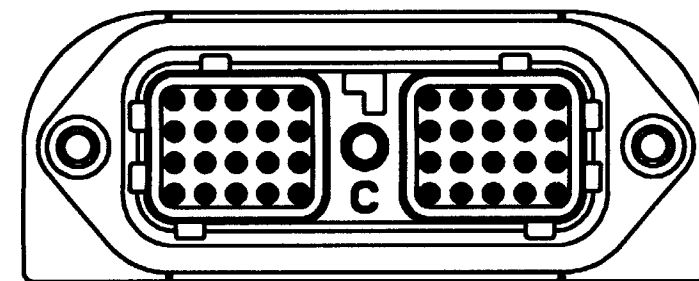
CP	MATL CODE
The Deutch Company DEUTSCH I.P.D. 3850 INDUSTRIAL AVE. HEMET, CALIF. 92545	
<b>B</b> DRC23-40P*	
DWG SIZE	CODE 11139 SHEET 1 OF 2



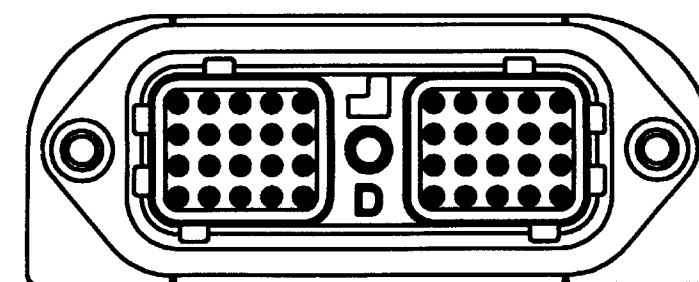
KEY ARRANGEMENT -A-  
DRC23-40PA



KEY ARRANGEMENT -B-  
DRC23-40PB



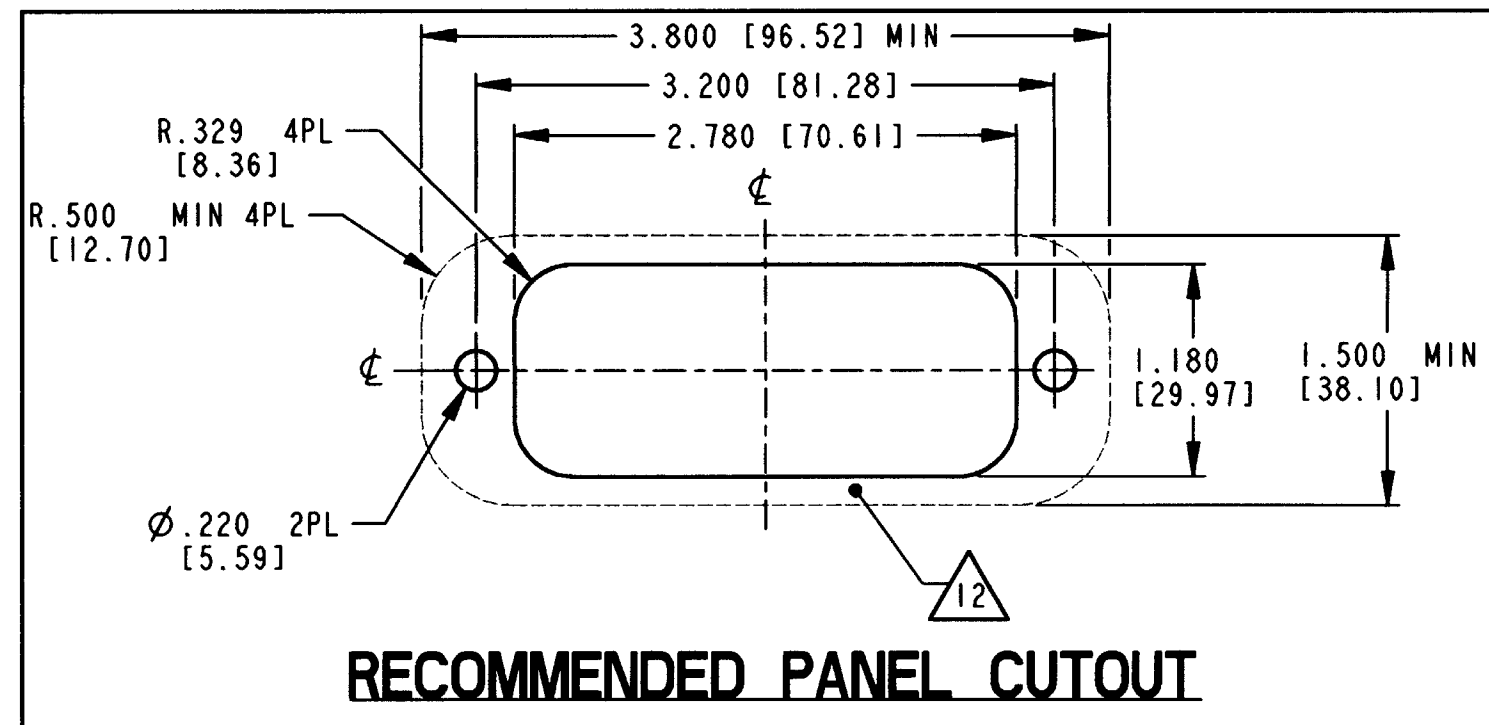
KEY ARRANGEMENT -C-  
DRC23-40PC



KEY ARRANGEMENT -D-  
DRC23-40PD

NOTES:

REV	NC	REVISIONS		
SYM	DESCRIPTION	DATE	APPROVED	
	SEE SHEET ONE	12-28-00	RDR	



**RECOMMENDED PANEL CUTOUT**

DR	J. APOSTOL 07NOV2000	RECEPTACLE 40 #20 SIZE CONTACTS KEY ARRANGEMENTS A, B, C & D DRC SERIES  ENVELOPE	CP	MATL. CODE
CHK			<b>The Deutsch Company</b> DEUTSCH I.P.D. 3850 INDUSTRIAL AVE. HEMET, CALIF. 92545	
PE	D. Meyer 12/11/00		<b>B DRC23-40P*</b>	
APPD	R. Reed 12-28-00		DWG SIZE	CODE 11139 SHEET 2 OF 2
SCALE	NONE WT			